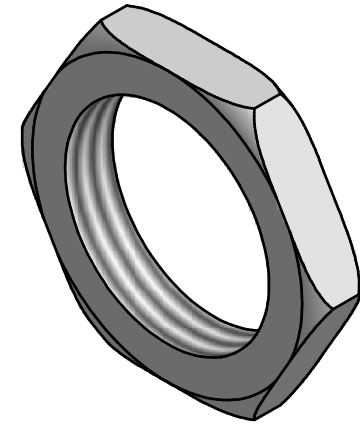
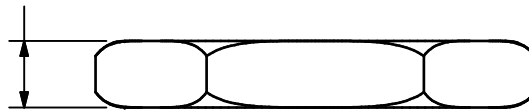
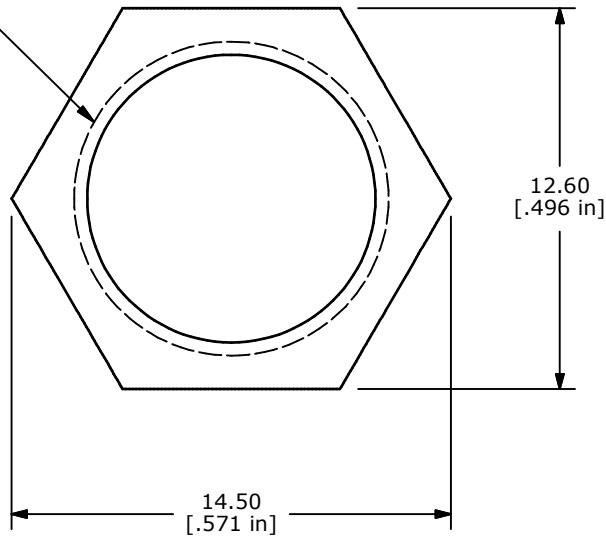


2.20
[.087 in]



▲
THREAD:
3/8X32NEF



- NOTE:
1. ALL DIMENSIONS IN MM[INCH].
 2. GENERAL TOLERANCE: X.X=± 0.4
X.XX=± 0.25
 3. ▲ DENOTES CRITICAL PARAMETER.
 4. 2002/95/EC (ROHS) COMPLIANT



TITLE ROTARY SWITCH NUT

B	17642	REVISED AND REDRAWN IN INVENTOR	9/6/07	BF
REV	PCR NO	DESCRIPTION	DATE	BY

THE INFORMATION CONTAINED IN THIS DOCUMENT IS PROPRIETARY TO E-SWITCH AND IS NOT TO BE COPIED OR TRANSFERRED

SCALE	DATE	DR	DWG	REV
4 : 1	9/6/2007	BF	G200001	B